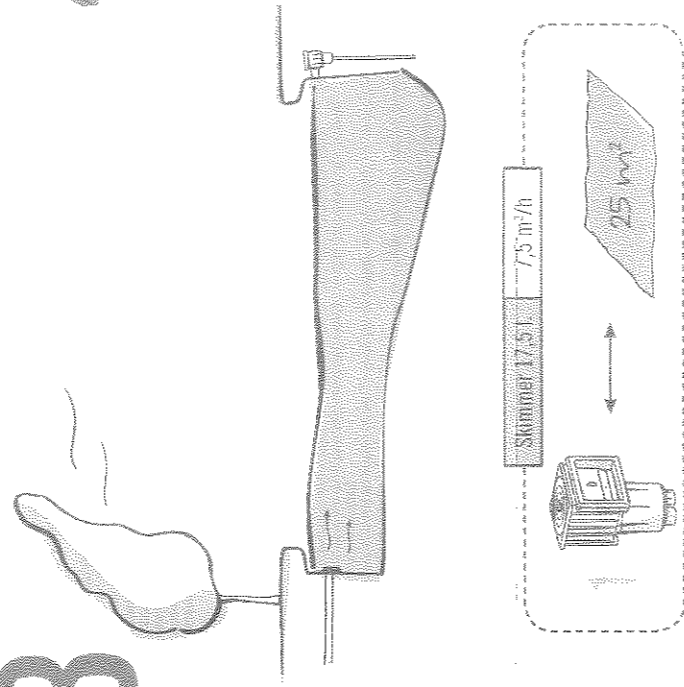


3



4

concrete pool

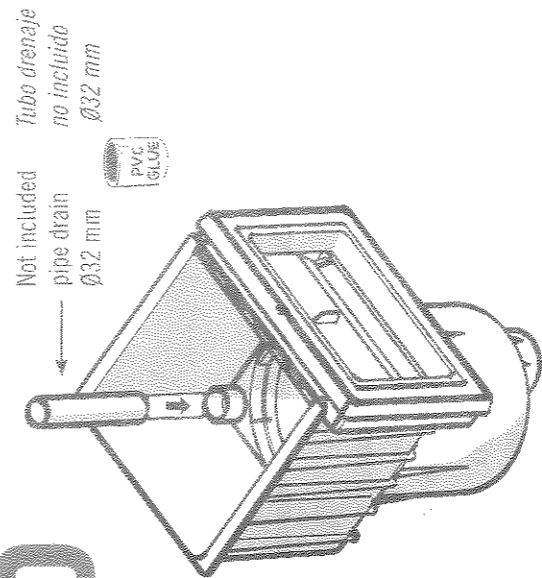
17,5 l.	58609	Without inserts	Sin injertos
58682	With inserts	Con injertos	

Ø32 mm.  
Over flow drain  
Tubo de drenaje

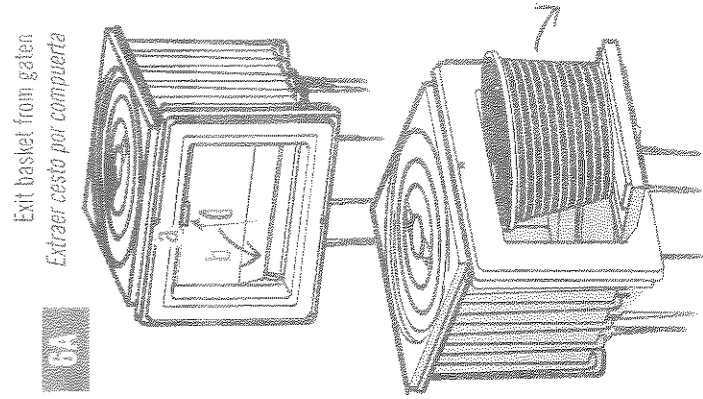
concrete pool + liner

prefabricated pool

5



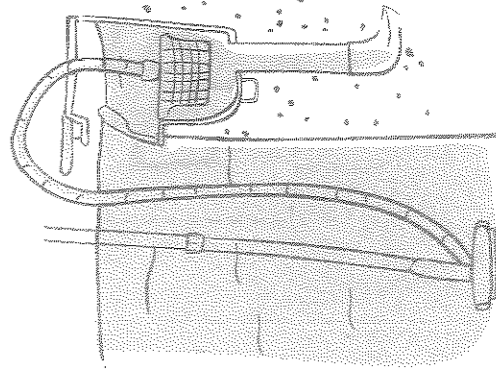
6



7



7B



No flow, Q= 0m³

