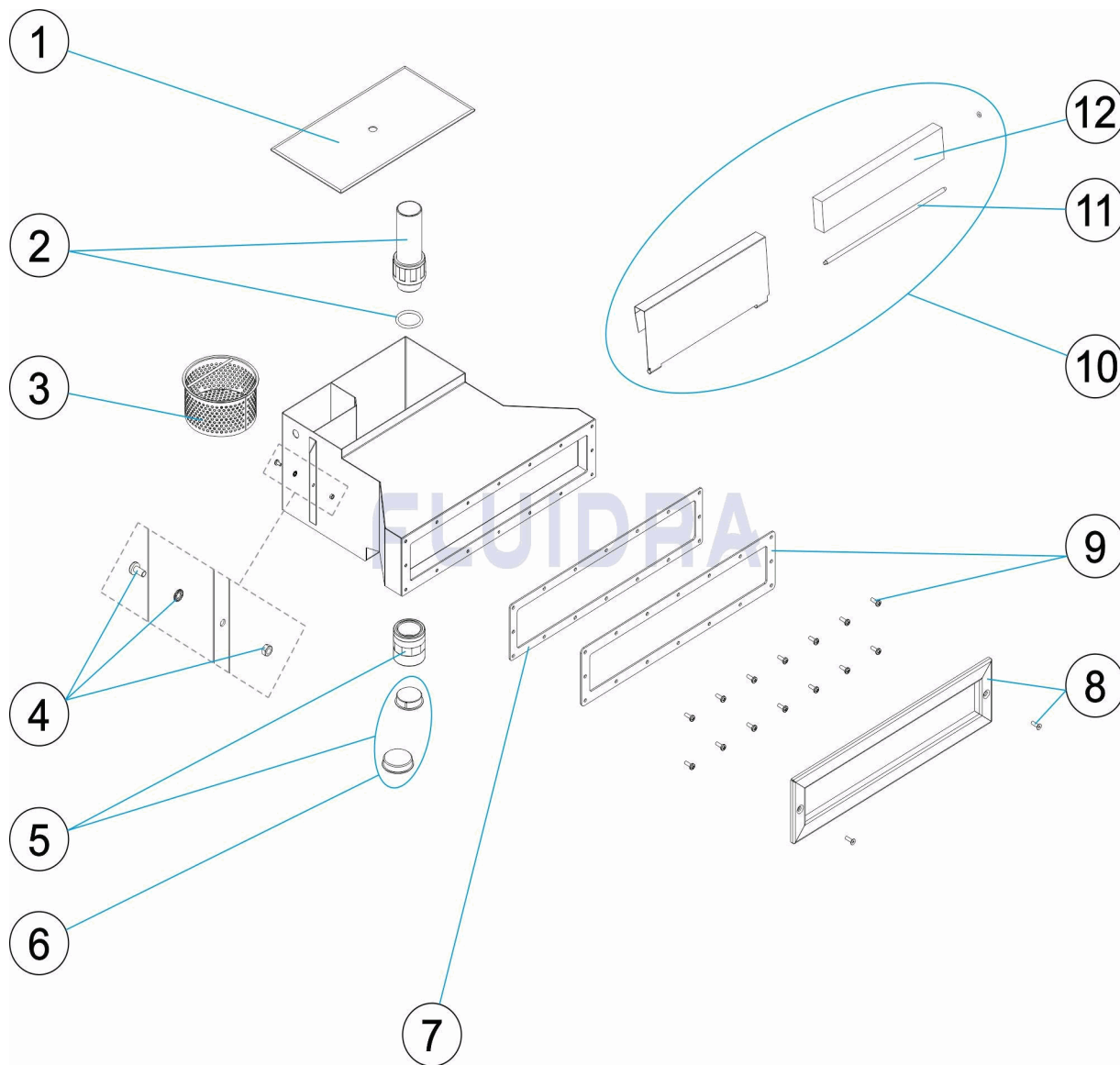


CODIGO **56313, 56316**

DESCRIPCION: **SKIMMER BOCA A-500/A-650**



**ESPAÑOL**

POS	CODIGO	DESCRIPCION	CANTIDAD	POS	CODIGO	DESCRIPCION	CANTIDAD
1	4402010048	TAPA SKIMMER		8	* 4402010062	EMBELLECEDOR BOCA SKIMMER A-500	
2	4402010049	REBOSADERO SKIMMER		8	* 4402010055	EMBELLECEDOR BOCA SKIMMER A-650	
3	4402010050	CESTO RECOGEHOJAS CON VARILLA		9	* 4402010063	BRIDA BOCA SKIMMER A-500	
4	4402010056	TOMA TIERRA		9	* 4402010054	BRIDA BOCA SKIMMER A-650	
5	4402010051	CJTO. MANGUITO		10	4402010045	CJTO. COMPUERTA SKIMMER	
6	4402010052	CJTO. TAPONES		11	4402010047	EJE COMPUERTA SKIMMER	
7	* 4402010061	JUNTA SKIMMER A-500		12	4402010046	ESPUMA SKIMMER A500	
7	* 4402010053	JUNTA SKIMMER A-650					

**CODIGO**                    **56313, 56316**

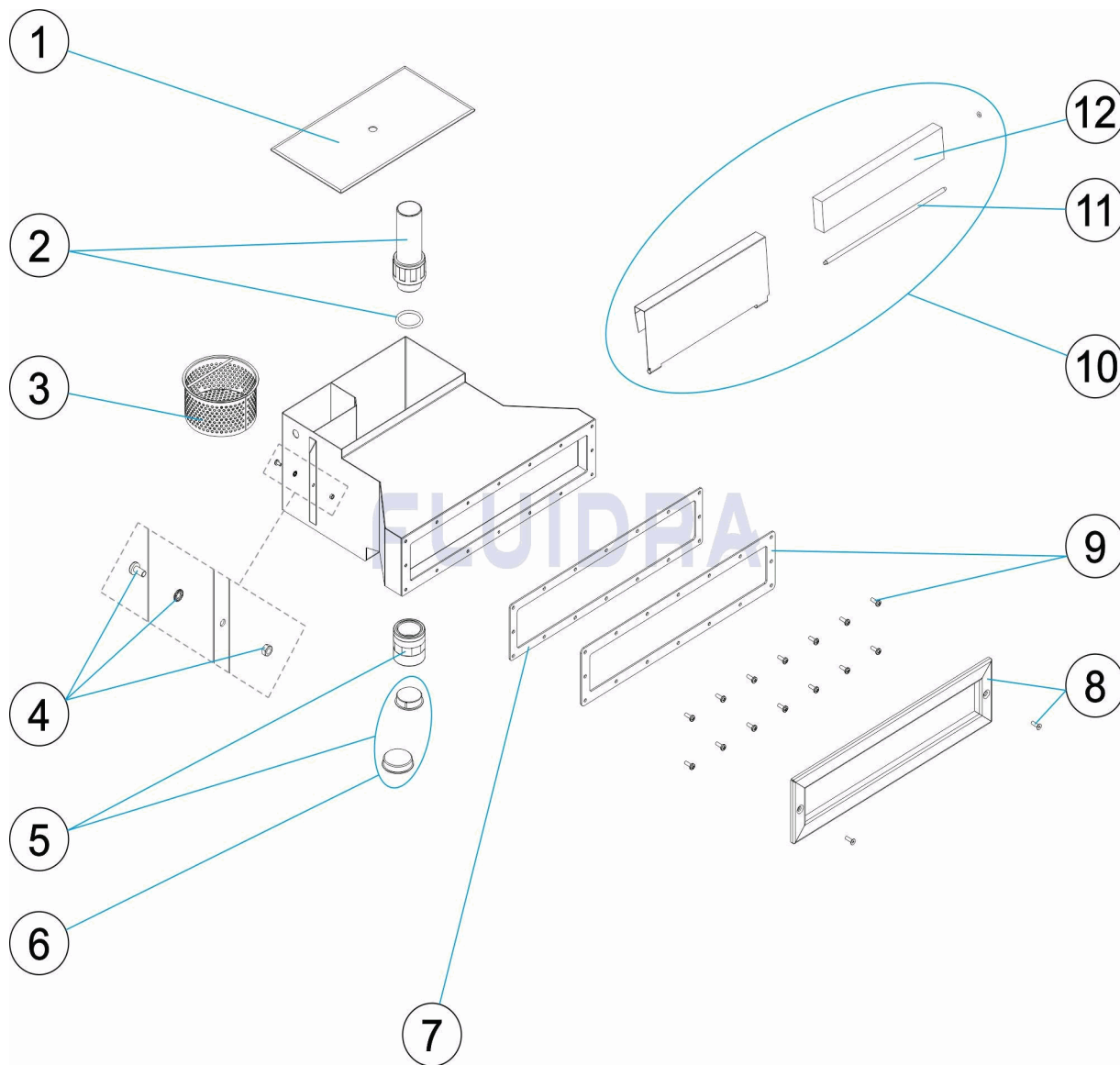
**DESCRIPCION: SKIMMER BOCA A-500/A-650**

## OBSERVACIONES

POS	CODIGO	OBSERVACIONES
7	* 4402010061	PARA: 56313
7	* 4402010053	PARA: 56316
8	* 4402010062	PARA: 56313
8	* 4402010055	PARA: 56316
9	* 4402010063	PARA: 56313
9	* 4402010054	PARA: 56316

CODE 56313, 56316

DESCRIPTION: SKIMMER A-500/A-650



FRANCAIS

POS	CODE	DESCRIPTION	QUANTITE	POS	CODE	DESCRIPTION	QUANTITE
1	4402010048	COUVERCLE ROND DE SKIMMER		8	* 4402010062	ENJOLIVEUR SKIMMER A-500	
2	4402010049	TROP PLEIN SKIMMER INOX		8	* 4402010055	ENJOLIVEUR SKIMMER A-650	
3	4402010050	PANIER SKIMMER		9	* 4402010063	BRIDE DE BOUCHE SKIMMER A-500	
4	4402010056	PRISE DE TERRE		9	* 4402010054	BRIDE DE BOUCHE SKIMMER A-650	
5	4402010051	ENS. FLEXIBLE		10	4402010045	COLET DE SKIMMER	
6	4402010052	ENS. BOUCHONS		11	4402010047	AXE CLAPET SKIMMER	
7	* 4402010061	JOINT SKIMMER A-500		12	4402010046	MOUSSE FLOTTAISON	
7	* 4402010053	JOINT SKIMMER A-650					

CODE **56313, 56316**

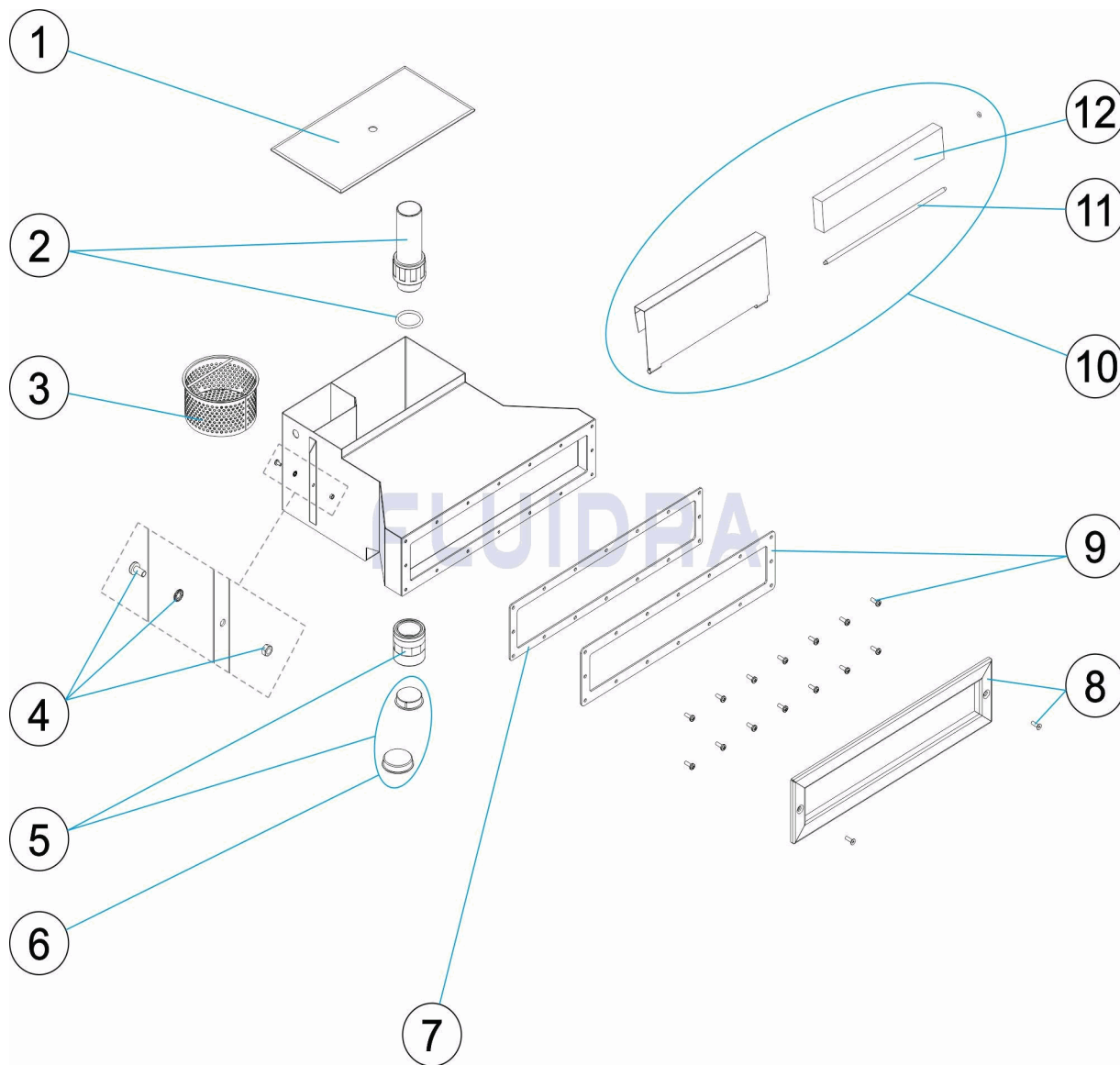
DESCRIPTION: **SKIMMER A-500/A-650**

**OBSERVATIONS**

POS	CODE	OBSERVATIONS
7	* 4402010061	POUR: 56313
7	* 4402010053	POUR: 56316
8	* 4402010062	POUR: 56313
8	* 4402010055	POUR: 56316
9	* 4402010063	POUR: 56313
9	* 4402010054	POUR: 56316

CODE 56313, 56316

DESCRIPTION: SKIMMER A-500/A-650



**ENGLISH**

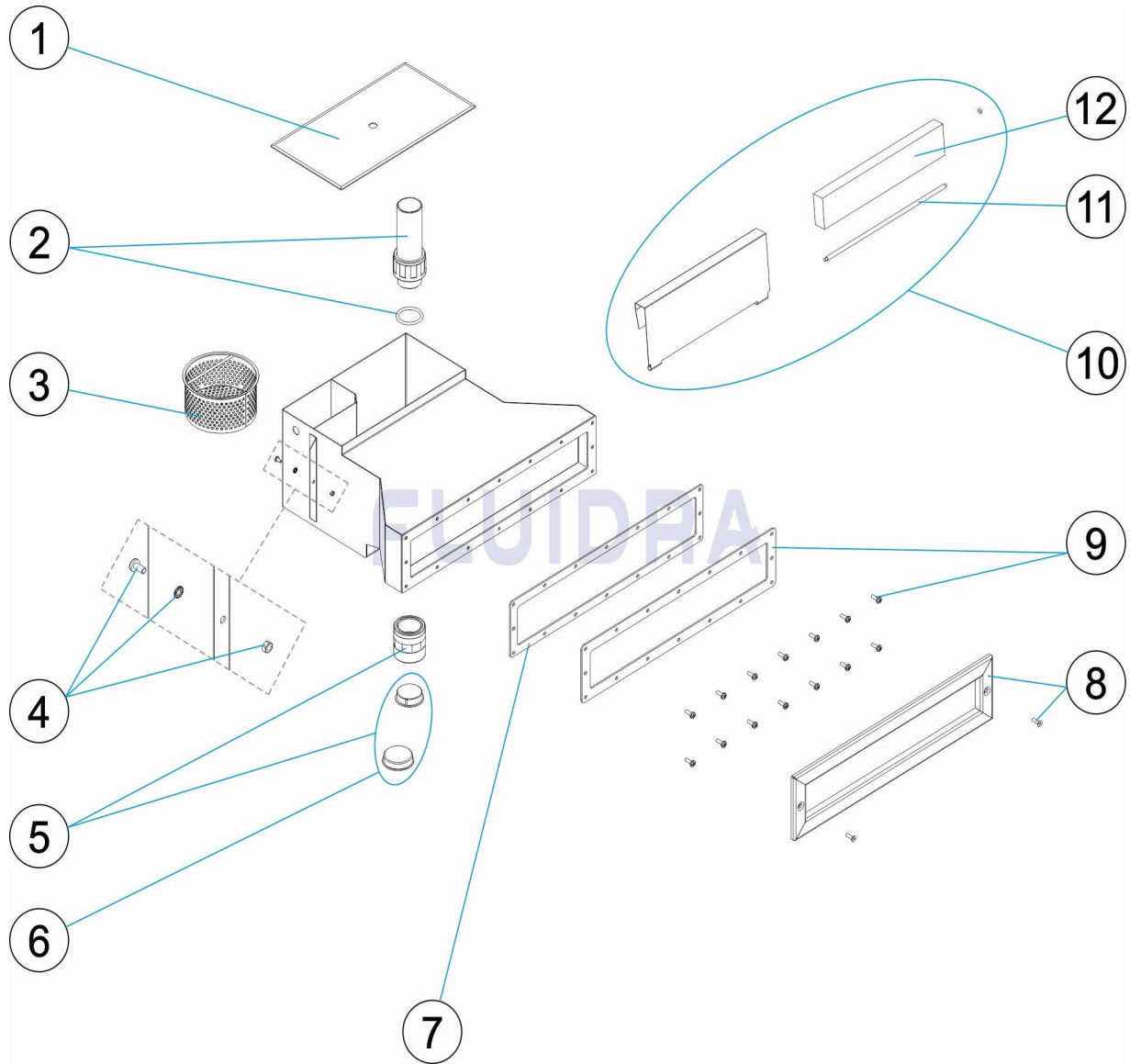
POS	CODE	DESCRIPTION	QUANTITY	POS	CODE	DESCRIPTION	QUANTITY
1	4402010048	SKIMMER LID		8	* 4402010062	FACE PLATE SKIMMER A-500	
2	4402010049	S. S. SKIMMER OVERFLOW		8	* 4402010055	FACE PLATE SKIMMER A-650	
3	4402010050	SKIMMER BASKET		9	* 4402010063	FLANGE MOUTH WITH SKIMMER A-500	
4	4402010056	EARTH CONNECTION		9	* 4402010054	FLANGE MOUTH WITH SKIMMER A-650	
5	4402010051	HOSE ASSEMBLY		10	4402010045	SKIMMER FLAP	
6	4402010052	CAPS ASSEMBLY		11	4402010047	SKIMMER GATE SHAFT	
7	* 4402010061	SKIMMER GASKET A-500		12	4402010046	FOAM,	
7	* 4402010053	SKIMMER GASKET A-650					

CODE **56313, 56316**DESCRIPTION: **SKIMMER A-500/A-650****OBSERVATIONS**

POS	CODE	OBSERVATIONS
7	* 4402010061	FOR: 56313
7	* 4402010053	FOR: 56316
8	* 4402010062	FOR: 56313
8	* 4402010055	FOR: 56316
9	* 4402010063	FOR: 56313
9	* 4402010054	FOR: 56316

CODICE 56313, 56316

DESCRIZIONE: SKIMMER A-500/A-650



ITALIANO

POS	CODICE	DESCRIZIONE	QUANTITA'	POS	CODICE	DESCRIZIONE	QUANTITA'
1	4402010048	COPERCHIO SKIMMER		8	* 4402010062	FLANGIA DI RIFINITURA SKIMMER A-500	
2	4402010049	TROPPO PIENO SKIMMER INOX		8	* 4402010055	FLANGIA DI RIFINITURA SKIMMER A-650	
3	4402010050	CESTELLO SKIMMER		9	* 4402010063	FLANGIA BOCCHETTASKIMMER A-500	
4	4402010056	PRESA A TERRA		9	* 4402010054	FLANGIA BOCCHETTASKIMMER A-650	
5	4402010051	SET MANICOTTO		10	4402010045	BATTENTE SKIMMER	
6	4402010052	SET TAPPI		11	4402010047	ASSE BATTENTE SKIMMER	
7	* 4402010061	GUARNIZIONE SKIMMER A-500		12	4402010046	SCHIUMA GALLEGGIANTE	
7	* 4402010053	GUARNIZIONE SKIMMER A-650					

CODICE                   **56313, 56316**

DESCRIZIONE: **SKIMMER A-500/A-650**

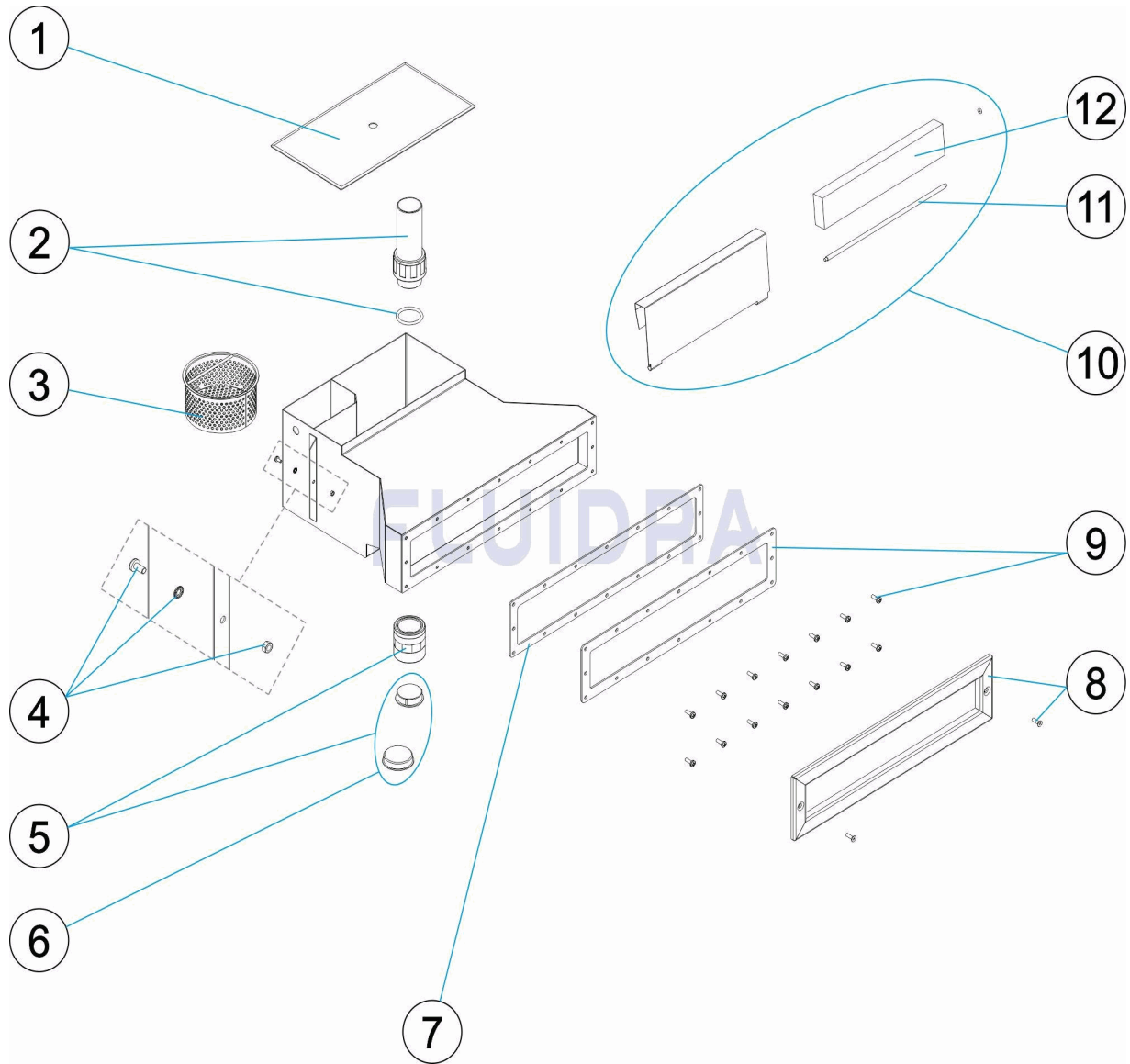
## OSSERVAZIONI

POS	CODICE	OSSERVAZIONI
7	* 4402010061	PER: 56313
7	* 4402010053	PER: 56316
8	* 4402010062	PER: 56313
8	* 4402010055	PER: 56316
9	* 4402010063	PER: 56313
9	* 4402010054	PER: 56316



CODE **56313, 56316**

BESCHREIBUNG: **SKIMMER EINLASS A-500/A-650**



**DEUTSCH**

POS	CODE	BESCHREIBUNG	MENGE	POS	CODE	BESCHREIBUNG	MENGE
1	4402010048	SKIMMERDECKEL		8	* 4402010062	BLLENDE SKIMMEREINLASS A-500	
2	4402010049	AUFSATZ SKIMMER		8	* 4402010055	BLLENDE SKIMMEREINLASS A-650	
3	4402010050	BLATTFÄNGERKORB MIT RUNDEISEN		9	* 4402010063	FLANSCH SKIMMEREINLASS A-500	
4	4402010056	ERDUNG		9	* 4402010054	FLANSCH SKIMMEREINLASS A-650	
5	4402010051	SET NIPPEL		10	4402010045	SET SKIMMERKLAPPE	
6	4402010052	STOPFENSET		11	4402010047	ACHSE SKIMMERKLAPPE	
7	* 4402010061	DICHTUNG SKIMMER A-500		12	4402010046	SCHAUMSTOFF SKIMMER A500	
7	* 4402010053	DICHTUNG SKIMMER A-650					

CODE **56313, 56316**

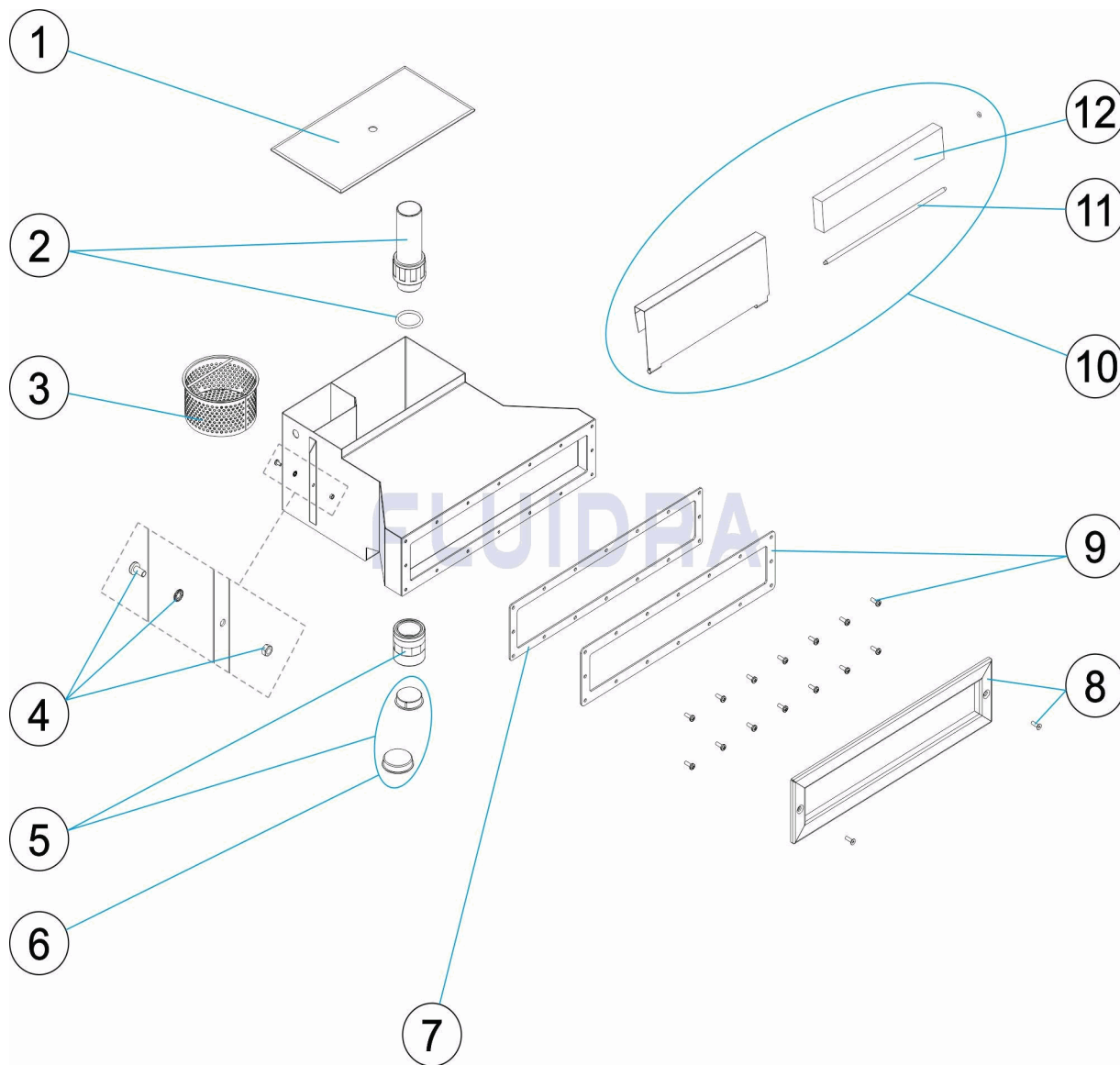
BESCHREIBUNG: **SKIMMER EINLASS A-500/A-650**

## HINWEISE

POS	CODE	HINWEISE
7	* 4402010061	FÜR: 56313
7	* 4402010053	FÜR: 56316
8	* 4402010062	FÜR: 56313
8	* 4402010055	FÜR: 56316
9	* 4402010063	FÜR: 56313
9	* 4402010054	FÜR: 56316

CODIGO **56313, 56316**

DESCRIÇÃO: **SKIMMER A-500/A-650**



**PORTUGUES**

POS	CODIGO	DESCRIÇÃO	JANTIDADE	POS	CODIGO	DESCRIÇÃO	JANTIDADE
1	4402010048	TAMPA SKIMMER		8	* 4402010062	EMBELEZADOR SKIMMER A-500	
2	4402010049	CALEIRA SKIMMER INOX		8	* 4402010055	EMBELEZADOR SKIMMER A-650	
3	4402010050	CESTO SKIMMER		9	* 4402010063	FLANGE BOCA SKIMMER A-500	
4	4402010056	LIGAÇÃO A TERRA		9	* 4402010054	FLANGE BOCA SKIMMER A-650	
5	4402010051	CJTO. MANGA		10	4402010045	COMPORTA SKIMMER	
6	4402010052	CJTO. TAMPÕES		11	4402010047	EIXO COMPORTA SKIMMER	
7	* 4402010061	JUNTA SKIMMER A-500		12	4402010046	ESPONJA FLUTUAÇÃO	
7	* 4402010053	JUNTA SKIMMER A-650					

**CODIGO**                    **56313, 56316**

**DESCRIÇÃO: SKIMMER A-500/A-650**

## OBSERVAÇÕES

POS	CODIGO	OBSERVAÇÕES
7	* 4402010061	PARA: 56313
7	* 4402010053	PARA: 56316
8	* 4402010062	PARA: 56313
8	* 4402010055	PARA: 56316
9	* 4402010063	PARA: 56313
9	* 4402010054	PARA: 56316